

Walk-in Collection

# J95

52" x 32" x 40"

OUT-SWING DOOR



THERAPY PREMIUM  
HYDROTHERAPY



JETTA

# BELMONT

52" x 32" x 40" - RECTANGLE



## STANDARD THERAPY PLUS FEATURES

- Dual Whirlpool System
  - Backrest - 6 low profile comfort jets
  - Foot well - 4 directional and flow-adjustable jets.
  - 1.5 BHP pump - 7.5 amps
- Jetta Air System
  - Seamless air injectors around tub perimeter
  - Variable speed blower with 600-watt heater:
  - 115 Volt - 10 Amps 1 HP
- Jetta Warm
- Active Drain system
- Floating remote control and mounted keypad control
- Inline Heater
- Clear Mood Light
- Polyurethane foam insulation

## STANDARD SAFETY FEATURES

- Built-in safety grab bar
- Safety U-Bar
- Slip resistant bottom
- Polished Chrome ADA waste & overflow
- 34" Wide Out-Swing Door

## STANDARD INSTALLATION FEATURES

- 3-sided tile flange kit
- Wall extension kit to fit standard 60" opening



## OPTIONS AVAILABLE

- Roll-up Gel Spa Pillow
- Contoured Seat Cushion

## COLORS AVAILABLE

White

## WARRANTY

Lifetime Limited

## RECOMMENDED OPERATING

GALLONS Regular Usage - 75 gal.

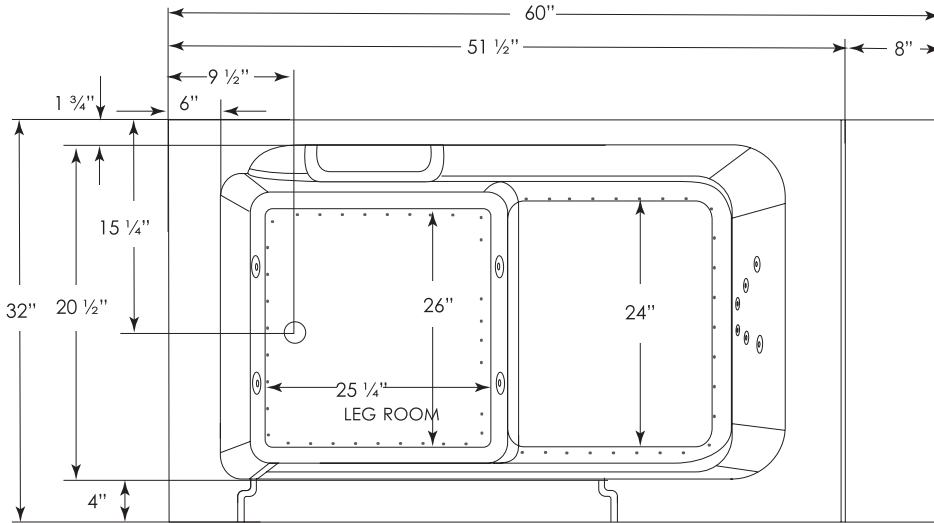
AVAILABLE



# J95

# Walk-in Collection BELMONT

**THERAPY PREMIUM HYDROTHERAPY** | 52" x 32" x 40" | OUT-SWING DOOR



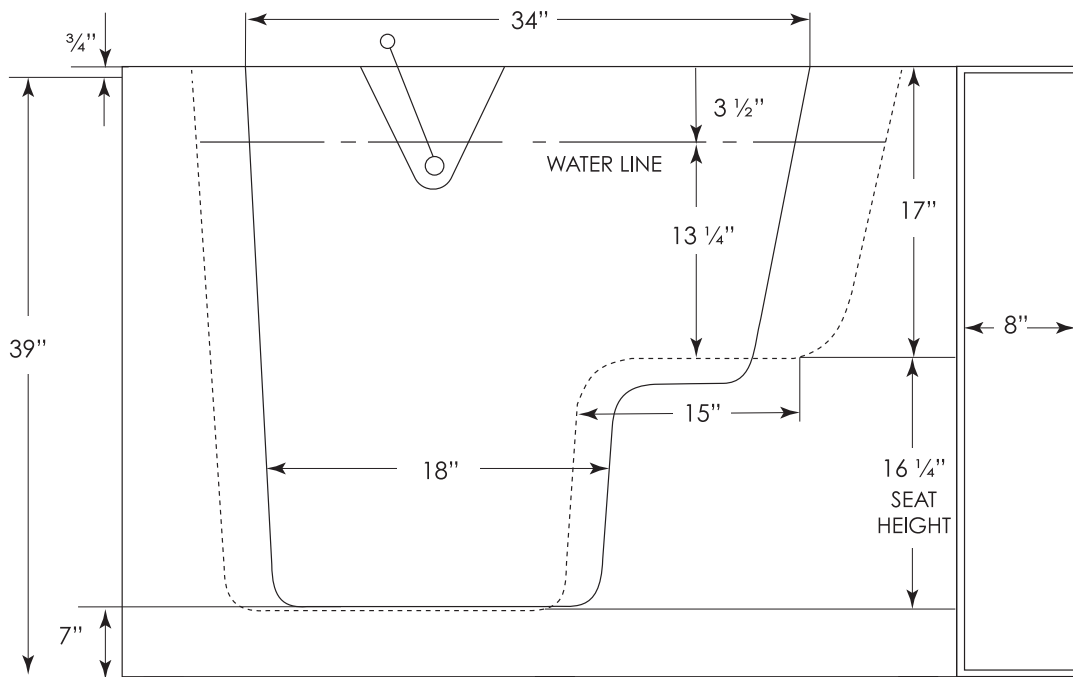
### ELECTRICAL SPECIFICATIONS

Required Electrical Service  
(1) Dedicated 20 amp GFI breaker 110/115 Volts

### CODES/STANDARDS APPLICABLE

Specific model meets or exceeds the requirements for the following standards: ANSI, ASME

**SHIPPING WEIGHT** 275 lbs



### MEASURE TUB BEFORE INSTALLATION.

Dimensional variance on drawings may be +/- 1/2 inch and are subject to change without notice.

JETTACORP.COM



© 2021 Jetta Corporation. All rights reserved. Specifications are subject to change without notice. REV 12/2021

# TECHNICAL SPECIFICATIONS